

# SUBMITTAL/TECHNICAL DATA SHEET



## STANDARD OPTIONS

- MATERIAL:**  
16 gauge cold rolled steel
- HINGE:**  
Continuous piano hinge
- LOCK / LATCH:**  
Self latching tool-key operated slam latch and/or ring operated slam latch, both included
- INSIDE PANEL RELEASE:**  
Standard on all doors
- FINISH:**  
High quality white powder coat primer
- PACKAGING:**  
Individually wrapped, 1 per box



SKU: **LHD GS**

## HEAVY DUTY ACCESS DOOR

FOR LARGE OPENINGS

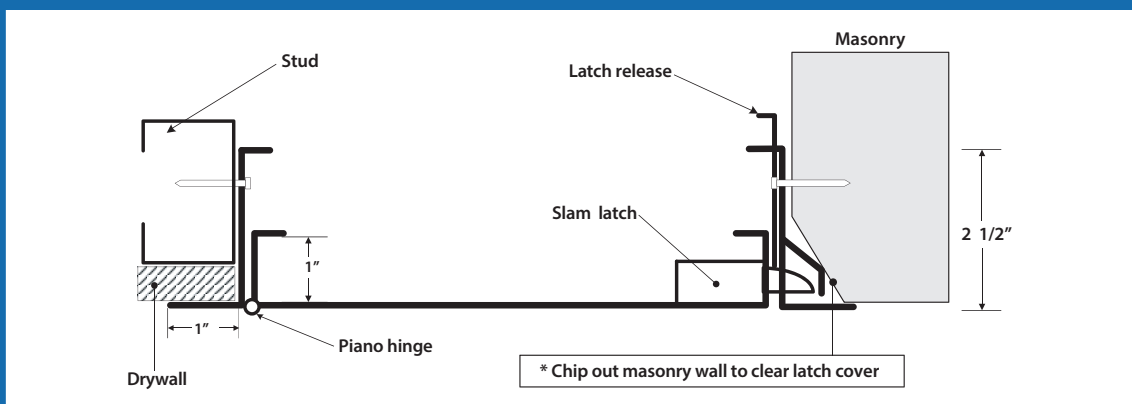


## INSTALLATION

>> CLICK TO VIEW ADDITIONAL DETAILS AND PRICING <<

## OPTIONS AVAILABLE

- LOCK / LATCH:**
- Key operated cylinder cam latch
  - Handle operated slam latch
  - Mortise preparation for cylinder (cylinder optional)
  - Mortise deadbolt lock
- MATERIAL:** Stainless steel 304 #4 (brushed finish)
- DESING:** Double leaf

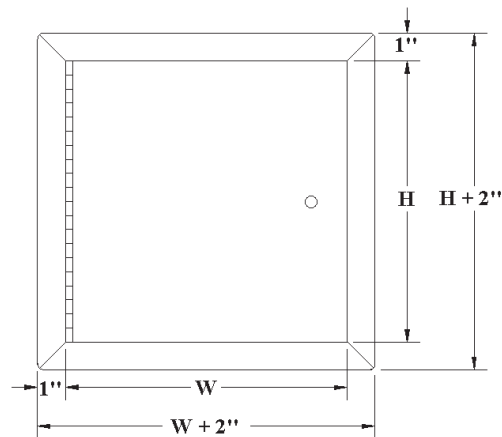


## DIMENSIONS AND APPEARANCE

For a complete list of options visit [www.AccessDoorsAndPanels.com](http://www.AccessDoorsAndPanels.com)

DOOR SIZE W x H INCHES (MM)	NUMBER OF LOCKS	WEIGHT	
		LBS	KG
48 x 48 (609 x 914)	2	64	29
Any size made in record time			

ROUGH WALL OPENING = DOOR SIZE + 1/4" or + 6mm



Scan or Click



To view Pricing and Additional Product Info.

## PROJECT DATA

Custom Sizes Available - Fast!

PROJECT NAME :	QTY	W	H	OPTIONS
ARCHITECT :				
DEALER :				
CONTRACTOR :				
LOCATION :	SPECIAL INSTRUCTIONS :			
DATE :				
TAGGING INSTRUCTIONS :	SUBMITTAL APPROVAL : (signature or stamp)			

LEED READY: THIS PRODUCT CONTRIBUTES TO LEED® CREDITS



TELEPHONE:  
1-888-457-1275  
FAX:  
1-888-626-2907



PO BOX 66738 #76520,  
SAINT LOUIS, MO  
63166-6738  
USA



WEBSITE:  
[www.AccessDoorsAndPanels.com](http://www.AccessDoorsAndPanels.com)  
E-MAIL:  
[info@AccessDoorsAndPanels.com](mailto:info@AccessDoorsAndPanels.com)